

## Simmerring BAUM.../SL to DIN 3760 A/AS

Simmerring BAUMX7, BAUMSLX7,  
BAUM, BAUMSL

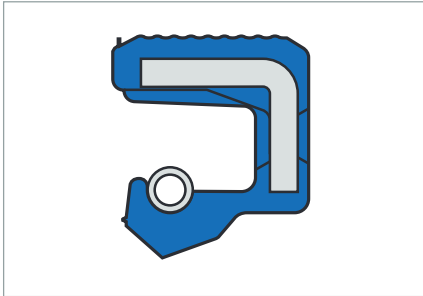


Fig. 1 Simmerring BAUM... FKM

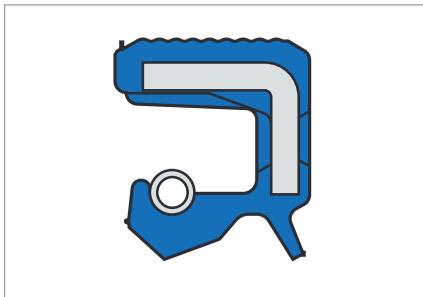


Fig. 2 Simmerring BAUMSL... FKM

### Product advantages

- Broad range of possible applications in every sector of industry
- Increased thermal stability and chemical resistance
- Reliable sealing of the housing bore, even with increased roughness of the bore, thermal expansion and split housings, thus a sealing of low viscosity and gaseous media also possible
- Advantages when sealing low viscosity and gaseous media

- Additional dust lip as additional seal against moderate and medium dust and dirt ingress from outside (BAUMSLX7).  
(Note: can lead to temperature increase from frictional heat).

### Application

- Agricultural and construction machinery transmissions
- Industrial gearboxes
- Axles (when subject to moderate dirt)
- Power tools.

### Material

Fluoro elastomer

<b>Code</b>	75 FKM 585
<b>Colour</b>	Dark brown
<b>Hardness</b>	75 Shore A
<b>Metal insert</b>	Unalloyed steel DIN EN 10027-1
<b>Spring</b>	Spring steel DIN EN 10270-1

### Product description

- Outer casing: elastomer (smooth, grooved = X7)
- Spring-loaded sealing lip
- Additional dust lip (BAUMSL, BAUMSLX7)
- Friction-optimised sealing lip profile.

### Operating conditions

<b>Media</b>	Mineral oils, synthetic oils, aromatic and chlorinated hydro-carbons, fuels, heating oils
<b>T</b>	-25 ... +160 °C
<b>v</b>	<p>Permissible circumferential speed for Simmerrings made from the materials NBR (72 NBR 902) and FKM (75 FKM 585) for the sealing of motor oil SAE 20. Use Simmerring with SL (dust lip): <math>v = \max. 8 \text{ m/s}</math>.</p>
<b>p</b>	up to 0,05 MPa/0,5 bar for >0,05 MPa/0,5 bar, a Simmerring with back-up ring can be used. → Technical Manual.

Max. permissible values depend on the other operating conditions.

### Fitting & installation

#### Shaft

<b>Tolerance</b>	ISO h 11
<b>Runout</b>	IT 8
<b>Roughness</b>	$R_a = 0,2 \dots 0,8 \mu\text{m}$
	$R_z = 1,0 \dots 5,0 \mu\text{m}$
	$R_{\text{max}} = <6,3 \mu\text{m}$
<b>Hardness</b>	45 ... 60 HRC
<b>Finish</b>	No lead; preferably plunge ground

#### Housing bore

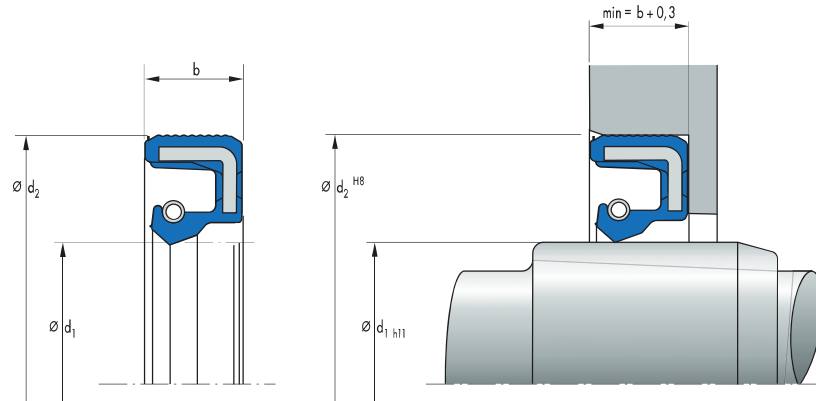
<b>Tolerance</b>	ISO H8
<b>Roughness</b>	$R_z = 10 \dots 25 \mu\text{m}$

Careful fitting according to DIN 3760 is a prerequisite for the correct function of the seal → Technical Manual.

### Range of dimensions for shafts-Ø d<sub>1</sub>

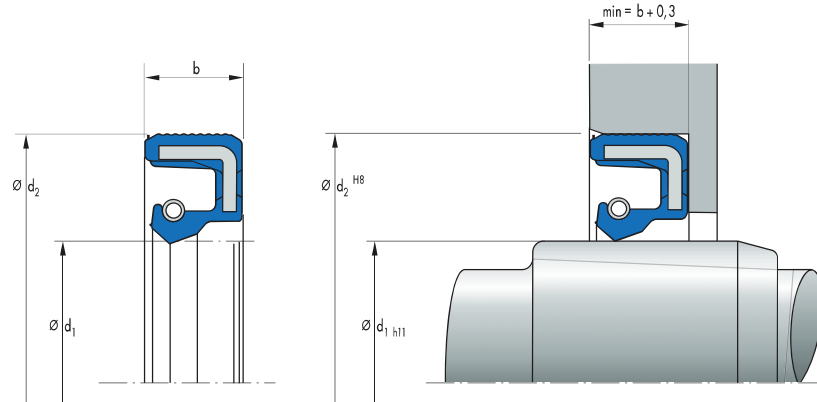
<b>Simmerring BAUM...</b>	6 ... 220 mm
<b>Simmerring BAUMSL...</b>	8 ... 220 mm

Article list



$d_1$	$d_2$	b	DIN 3761	Outer surface	Pressure	Material	Type	Article No.	
6	16	6	A	grooved	0,05	75 FKM 585	BAUMX7	406308	B
6	22	7	A	grooved	0,05	75 FKM 585	BAUMX7	400296	B
7	16	7	A	smooth	0,05	75 FKM 595	BAUM	343383	D
7	22	7	A	grooved	0,05	75 FKM 585	BAUMX7	412598	B
8	20	6	AS	grooved	0,05	75 FKM 585	BAUMSLX7	421497	D
8	22	7	A	grooved	0,05	75 FKM 585	BAUMX7	406310	B
8	22	8	AS	grooved	0,05	75 FKM 585	BAUMSLX7	468755	B
8	24	7	A	grooved	0,05	75 FKM 585	BAUMX7	406311	B
9	18	6	A	smooth	0,05	75 FKM 585	BAUM	396104	D
10	19	7	A	grooved	0,05	75 FKM 585	BAUMX7	400287	B
10	22	7	A	grooved	0,05	75 FKM 585	BAUMX7	390099	B
10	24	7	A	grooved	0,05	75 FKM 585	BAUMX7	412571	B
10	26	5	AS	grooved	0,05	75 FKM 585	BAUMSLX27	468756	B
10	26	7	A	grooved	0,05	75 FKM 585	BAUMX7	406315	B
11	22	7	A	grooved	0,05	75 FKM 585	BAUMX7	412600	B
11	26	7	AS	grooved	0,05	75 FKM 585	BAUMSLX7	412558	B
11	26	7	A	grooved	0,05	75 FKM 585	BAUMX7	412566	B
11,8	28	5	AS	grooved	0,05	75 FKM 585	BAUMSLX7	49002913	D
12	20	6	A	grooved	0,05	75 FKM 585	BAUMX7	425209	B
12	20	6	A	grooved	0,05	75 FKM 585	BAUMX7	49036882	B
12	22	5	A	grooved	0,05	75 FKM 585	BAUMX27	49010681	B
12	22	7	A	grooved	0,05	75 FKM 585	BAUMX7	400278	B
12	22	7	AS	grooved	0,05	75 FKM 585	BAUMSLX7	468757	B
12	24	6	A	grooved	0,05	75 FKM 585	BAUMX7	429608	B
12	24	7	A	grooved	0,05	75 FKM 585	BAUMX7	406316	B
12	25	5	A	smooth	0,05	75 FKM 585	BAUM	378263	B
12	28	7	AS	grooved	0,05	75 FKM 585	BAUMSLX7	412560	B
12	28	7	AS	grooved	0,05	75 FKM 585	BAUMSLX7	476909	D
12	28	7	AS	grooved	0,05	75 FKM 585	BAUMSLX7	522775	D
12	30	7	A	grooved	0,05	75 FKM 585	BAUMX7	412668	B
12	32	7	A	grooved	0,05	75 FKM 585	BAUMX7	525462	B
13	26	7	A	grooved	0,05	75 FKM 585	BAUMX7	521531	B
13,7	24	7	AS	smooth	0,05	75 FKM 585	BAUMSL	521313	D
14	22	4	A	smooth	0,05	75 FKM 585	BAUM	378313	D
14	23	7	A	smooth	0,05	75 FKM 585	BAUM	378357	D

B Available from stock D On request: Tool is available, delivery at short notice

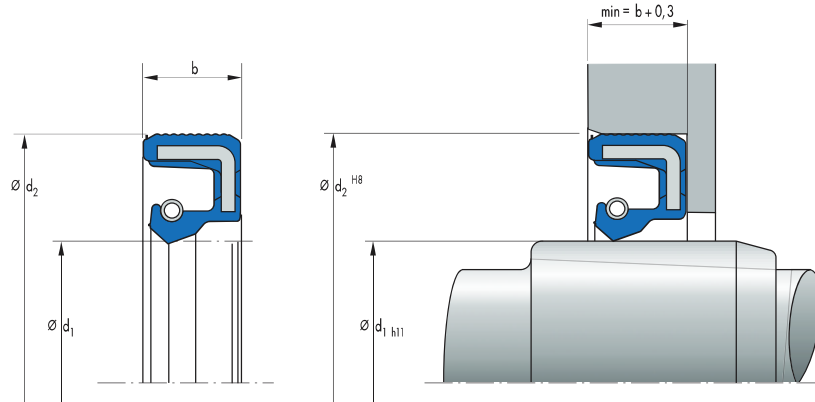


d <sub>1</sub>	d <sub>2</sub>	b	DIN 3761	Outer surface	Pressure	Material	Type	Article No.	
14	24	7	A	grooved	0,05	75 FKM 585	BAUMX7	406317	B
14	24	7	AS	grooved	0,05	75 FKM 585	BAUMSLX7	468758	B
14	28	7	AS	grooved	0,05	75 FKM 585	BAUMSLX7	405402	B
14	30	7	A	grooved	0,05	75 FKM 585	BAUMX7	412665	B
15	24	7	A	grooved	0,05	75 FKM 585	BAUMX7	386187	B
15	24	7	A	grooved	0,05	75 FKM 585	BAUMX7	419704	D
15	25	5	A	smooth	0,05	75 FKM 585	BAUM	49012993	B
15	26	7	A	grooved	0,05	75 FKM 585	BAUMX7	407042	B
15	26	7	AS	grooved	0,05	75 FKM 585	BAUMSLX7	471673	B
15	28	7	A	grooved	0,05	75 FKM 585	BAUMX7	400666	B
15	30	7	A	grooved	0,05	75 FKM 585	BAUMX7	388063	B
15	30	7	A	grooved	0,05	75 FKM 585	BAUMX7	528159	D
15	30	10	A	grooved	0,05	75 FKM 585	BAUMX7	389461	B
15	32	7	A	grooved	0,05	75 FKM 585	BAUMX7	411516	B
15	35	7	A	grooved	0,05	75 FKM 585	BAUMX7	411517	B
15	35	7	AS	smooth	0,05	75 FKM 585	BAUMSL	466955	D
15	40	7	A	smooth	0,05	75 FKM 585	BAUM	522177	B
15	42	7	A	grooved	0,05	75 FKM 585	BAUMX7	49001673	B
15	42	10	A	smooth	0,05	75 FKM 585	BAUM	49015432	B
16	28	7	A	grooved	0,05	75 FKM 585	BAUMX7	389802	B
16	28	7	AS	smooth	0,05	75 FKM 585	BAUMSL	411947	D
16	30	7	A	grooved	0,05	75 FKM 585	BAUMX7	386013	B
16	30	10	AS	grooved	0,05	75 FKM 585	BAUMSLX7	468759	B
16	32	7	AS	grooved	0,05	75 FKM 585	BAUMSLX7	405810	B
16	35	7	AS	grooved	0,05	75 FKM 585	BAUMSLX7	404317	B
17	25	4,5	A	smooth	0,05	75 FKM 585	BAUM	49016724	B
17	28	7	A	grooved	0,05	75 FKM 585	BAUMX7	398038	B
17	28	7	AS	grooved	0,05	75 FKM 585	BAUMSLX7	520222	B
17	30	7	A	grooved	0,05	75 FKM 585	BAUMX7	399045	B
17	32	7	AS	grooved	0,05	75 FKM 585	BAUMSLX7	405409	B
17	32	7	A	grooved	0,05	75 FKM 585	BAUMX7	407043	B
17	35	7	AS	grooved	0,05	75 FKM 585	BAUMSLX7	405803	B
17	40	7	A	grooved	0,05	75 FKM 585	BAUMX7	400677	B
17	40	7	AS	grooved	0,05	75 FKM 585	BAUMSLX7	524290	B
17	47	7	A	grooved	0,05	75 FKM 585	BAUMX7	524508	B
18	28	7	A	grooved	0,05	75 FKM 585	BAUMX7	411518	B

B Available from stock D On request: Tool is available, delivery at short notice

d <sub>1</sub>	d <sub>2</sub>	b	DIN 3761	Outer surface	Pressure	Material	Type	Article No.	
18	28	7	A	grooved	0,05	75 FKM 585	BAUMX7	49002248	D
18	30	7	A	grooved	0,05	75 FKM 585	BAUMX7	399819	B
18	32	7	A	grooved	0,05	75 FKM 585	BAUMX7	403077	B
18	35	7	A	grooved	0,05	75 FKM 585	BAUMX7	399825	B
18	35	7	AS	grooved	0,05	75 FKM 585	BAUMSLX27	405796	B
18	35	7	AS	grooved	0,05	75 FKM 585	BAUMSLX7	533071	B
20	30	5	AS	grooved	0,05	75 FKM 585	BAUMSLX27	521225	B
20	30	5	A	grooved	0,05	75 FKM 585	BAUMX27	49024463	B
20	30	7	A	grooved	0,05	75 FKM 585	BAUMX7	399790	B
20	32	7	A	grooved	0,05	75 FKM 585	BAUMX7	399787	B
20	32	7	AS	grooved	0,05	75 FKM 585	BAUMSLX7	466633	B
20	35	7	A	grooved	0,05	75 FKM 585	BAUMX7	388022	B
20	35	7	A	grooved	0,05	75 FKM 585	BAUMX7	439221	D
20	35	7	AS	grooved	0,05	75 FKM 585	BAUMSLX7	521004	B
20	36	7	A	grooved	0,05	75 FKM 585	BAUMX7	478616	B
20	37	6	A	grooved	0,05	75 FKM 585	BAUMX7	524289	B
20	37	6	AS	grooved	0,05	75 FKM 585	BAUMSLX7	524329	B
20	40	7	A	grooved	0,05	75 FKM 585	BAUMX7	397819	B
20	42	6	AS	smooth	0,05	75 FKM 585	BAUMSL	527066	B
20	42	7	A	grooved	0,05	75 FKM 585	BAUMX7	403079	B
20	42	7	AS	grooved	0,05	75 FKM 585	BAUMSLX7	405792	B
20	47	7	A	grooved	0,05	75 FKM 585	BAUMX7	399832	B
20	47	7	AS	grooved	0,05	75 FKM 585	BAUMSLX7	524288	B
20	52	6	AS	smooth	0,05	75 FKM 585	BAUMSL	531003	B
20	52	10	A	grooved	0,05	75 FKM 585	BAUMX7	402488	B
22	32	7	A	grooved	0,05	75 FKM 585	BAUMX7	402894	B
22	35	5	AS	grooved	0,05	75 FKM 585	BAUMSLX27	520867	B
22	35	7	A	grooved	0,05	75 FKM 585	BAUMX7	388023	B
22	35	7	AS	grooved	0,05	75 FKM 585	BAUMSLX7	520223	B
22	40	7	A	grooved	0,05	75 FKM 585	BAUMX7	410775	B
22	40	7	AS	grooved	0,05	75 FKM 585	BAUMSLX7	520028	B
22	40	7	A	grooved	0,05	75 FKM 585	BAUMX7	528161	D
22	47	7	AS	grooved	0,05	75 FKM 585	BAUMSLX7	405788	B
22	47	7	A	grooved	0,05	75 FKM 585	BAUMX7	523972	B
22	52	10	AS	grooved	0,05	75 FKM 585	BAUMSLX7	523044	B
24	35	7	A	grooved	0,05	75 FKM 585	BAUMX7	394587	B
24	37	7	A	grooved	0,05	75 FKM 585	BAUMX7	397820	B
24	40	7	AS	grooved	0,05	75 FKM 585	BAUMSLX7	404319	B
25	35	7	A	grooved	0,05	75 FKM 585	BAUMX7	397821	B
25	35	7	AS	grooved	0,05	75 FKM 585	BAUMSLX7	49027215	B
25	37	7	A	smooth	0,05	75 FKM 585	BAUM	49033008	B
25	38	7	A	grooved	0,05	75 FKM 585	BAUMX7	410776	B
25	38	7	AS	grooved	0,05	75 FKM 585	BAUMSLX7	529448	B
25	40	5	A	smooth	0,05	75 FKM 595	BAUM	342330	D
25	40	5	A	grooved	0,05	75 FKM 585	BAUMX27	526412	B
25	40	7	A	grooved	0,05	75 FKM 585	BAUMX7	400258	B
25	40	7	AS	grooved	0,05	75 FKM 585	BAUMSLX7	410111	B
25	40	8	AS	smooth	0,05	75 FKM 585	BAUMSL	423186	D
25	42	6	AS	smooth	0,05	75 FKM 585	BAUMSL	522919	B
25	42	6	A	smooth	0,05	75 FKM 585	BAUM	49036524	D

B Available from stock D On request: Tool is available, delivery at short notice

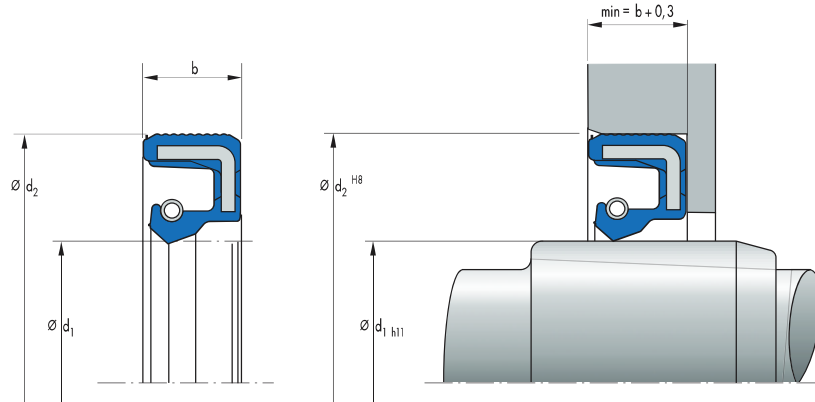


d <sub>1</sub>	d <sub>2</sub>	b	DIN 3761	Outer surface	Pressure	Material	Type	Article No.	
25	42	7	A	grooved	0,05	75 FKM 585	BAUMX7	390889	B
25	42	7	A	grooved	0,05	75 FKM 585	BAUMX7	439222	D
25	42	7	A	grooved	0,05	75 FKM 585	BAUMX7	522783	D
25	45	7	A	grooved	0,05	75 FKM 585	BAUMX7	410777	B
25	47	7	A	grooved	0,05	75 FKM 585	BAUMX7	388045	B
25	47	7	AS	grooved	0,05	75 FKM 585	BAUMSLX7	436712	B
25	47	10	AS	smooth	0,05	75 FKM 585	BAUMSL	527065	B
25	50	7	AS	grooved	0,05	75 FKM 585	BAUMSLX7	410112	B
25	52	7	A	grooved	0,05	75 FKM 585	BAUMX7	400698	B
25	52	7	AS	grooved	0,05	75 FKM 585	BAUMSLX7	524117	B
25	62	7	A	grooved	0,05	75 FKM 585	BAUMX7	422899	B
26	37	7	AS	grooved	0,05	75 FKM 585	BAUMSLX7	407128	B
26	42	7	A	grooved	0,05	75 FKM 585	BAUMX7	402895	B
26	47	7	A	grooved	0,05	75 FKM 585	BAUMX7	388813	B
28	38	7	AS	grooved	0,05	75 FKM 585	BAUMSLX7	410113	B
28	38	7	A	grooved	0,05	75 FKM 585	BAUMX7	523862	B
28	40	7	A	grooved	0,05	75 FKM 585	BAUMX7	400715	B
28	40	7	AS	smooth	0,05	75 FKM 595	BAUMSL	410719	D
28	45	8	AS	grooved	0,05	75 FKM 585	BAUMSLX7	474113	B
28	47	7	A	grooved	0,05	75 FKM 585	BAUMX7	390252	B
28	47	7	AS	grooved	0,05	75 FKM 585	BAUMSLX7	521005	B
28	52	7	A	grooved	0,05	75 FKM 585	BAUMX7	400263	B
28	52	7	AS	smooth	0,05	75 FKM 585	BAUMSL	49011964	B
30	40	7	A	grooved	0,05	75 FKM 585	BAUMX7	400273	B
30	40	7	AS	grooved	0,05	75 FKM 585	BAUMSLX7	479046	B
30	42	7	A	grooved	0,05	75 FKM 585	BAUMX7	400271	B
30	42	7	AS	grooved	0,05	75 FKM 585	BAUMSLX7	479045	B
30	45	7	AS	grooved	0,05	75 FKM 585	BAUMSLX7	410115	B
30	47	7	A	grooved	0,05	75 FKM 585	BAUMX7	386014	B
30	47	7	AS	grooved	0,05	75 FKM 585	BAUMSLX7	404326	B
30	47	7	A	smooth	0,05	75 FKM 595	BAUM	434416	D
30	48	7	A	grooved	0,05	75 FKM 585	BAUMX7	478615	B
30	48	8	AS	grooved	0,05	75 FKM 585	BAUMSLX7	476383	B
30	50	7	A	grooved	0,05	75 FKM 585	BAUMX7	400726	B
30	52	6	AS	smooth	0,05	75 FKM 585	BAUMSL	522920	B
30	52	7	A	grooved	0,05	75 FKM 585	BAUMX7	400453	B

B Available from stock D On request: Tool is available, delivery at short notice

d <sub>1</sub>	d <sub>2</sub>	b	DIN 3761	Outer surface	Pressure	Material	Type	Article No.	
30	52	7	AS	grooved	0,05	75 FKM 585	BAUMSLX7	410116	B
30	55	7	AS	grooved	0,05	75 FKM 585	BAUMSLX7	477661	B
30	62	7	A	grooved	0,05	75 FKM 585	BAUMX7	400456	B
30	62	7	AS	grooved	0,05	75 FKM 585	BAUMSLX7	531232	B
30	72	10	A	grooved	0,05	75 FKM 585	BAUMX7	432764	B
32	42	7	A	grooved	0,05	75 FKM 585	BAUMX7	402911	B
32	42	7	AS	grooved	0,05	75 FKM 585	BAUMSLX7	450967	B
32	45	7	A	smooth	0,05	75 FKM 595	BAUM	520083	D
32	47	7	A	grooved	0,05	75 FKM 585	BAUMX7	400458	B
32	47	7	AS	grooved	0,05	75 FKM 585	BAUMSLX7	407132	B
32	50	7	A	grooved	0,05	75 FKM 585	BAUMX7	410778	B
32	50	10	AS	grooved	0,05	75 FKM 585	BAUMSLX7	523389	B
32	52	7	A	grooved	0,05	75 FKM 585	BAUMX7	400754	B
32	52	7	AS	grooved	0,05	75 FKM 585	BAUMSLX7	521226	B
32	62	10	AS	smooth	0,05	75 FKM 585	BAUMSL	49011963	B
35	45	7	A	grooved	0,05	75 FKM 585	BAUMX7	402913	B
35	47	4,5	A	smooth	0,05	75 FKM 585	BAUM	521388	B
35	47	7	A	smooth	0,05	75 FKM 595	BAUM	121904	D
35	47	7	AS	smooth	0,05	75 FKM 585	BAUMSL	305066	D
35	47	7	A	grooved	0,05	75 FKM 585	BAUMX7	388048	B
35	47	7	AS	grooved	0,05	75 FKM 585	BAUMSLX7	478651	B
35	48	7	AS	grooved	0,05	75 FKM 585	BAUMSLX7	410779	B
35	50	7	A	grooved	0,05	75 FKM 585	BAUMX7	400759	B
35	50	7	AS	grooved	0,05	75 FKM 585	BAUMSLX7	429489	B
35	52	7	A	grooved	0,05	75 FKM 585	BAUMX7	403081	B
35	52	7	AS	grooved	0,05	75 FKM 585	BAUMSLX7	521006	B
35	55	7	AS	grooved	0,05	75 FKM 585	BAUMSLX7	410780	B
35	55	7	A	grooved	0,05	75 FKM 585	BAUMX7	526017	B
35	55	7,5	A	smooth	0,05	75 FKM 585	BAUM	49036525	D
35	62	7	A	grooved	0,05	75 FKM 585	BAUMX7	400459	B
35	62	7	AS	grooved	0,05	75 FKM 585	BAUMSLX7	477670	B
35	62	8	AS	smooth	0,05	75 FKM 585	BAUMSL	477146	B
35	72	7	A	grooved	0,05	75 FKM 585	BAUMX7	400466	B
35	72	7	AS	smooth	0,05	75 FKM 585	BAUMSL	49012066	B
35	80	13	A	smooth	0,05	75 FKM 585	BAUM	49012064	B
36	47	7	A	grooved	0,05	75 FKM 585	BAUMX7	403084	B
36	50	7	AS	grooved	0,05	75 FKM 585	BAUMSLX7	410183	B
36	52	7	A	grooved	0,05	75 FKM 585	BAUMX7	410781	B
38	50	7	A	grooved	0,05	75 FKM 585	BAUMX7	410782	B
38	52	7	A	grooved	0,05	75 FKM 585	BAUMX7	402914	B
38	52	7	AS	grooved	0,05	75 FKM 585	BAUMSLX7	410184	B
38	55	7	A	grooved	0,05	75 FKM 585	BAUMX7	388816	B
38	55	10	AS	grooved	0,05	75 FKM 585	BAUMSLX7	476382	B
38	56	10	AS	grooved	0,05	75 FKM 585	BAUMSLX7	49042633	B
38	60	7	A	grooved	0,05	75 FKM 585	BAUMX7	410783	B
38	62	7	A	grooved	0,05	75 FKM 585	BAUMX7	400528	B
38	62	7	AS	grooved	0,05	75 FKM 585	BAUMSLX7	407134	B
40	52	7	A	smooth	0,05	75 FKM 595	BAUM	30678	D
40	52	7	A	smooth	0,05	75 FKM 595	BAUM	310039	D
40	52	7	A	grooved	0,05	75 FKM 585	BAUMX7	388077	B

B Available from stock D On request: Tool is available, delivery at short notice



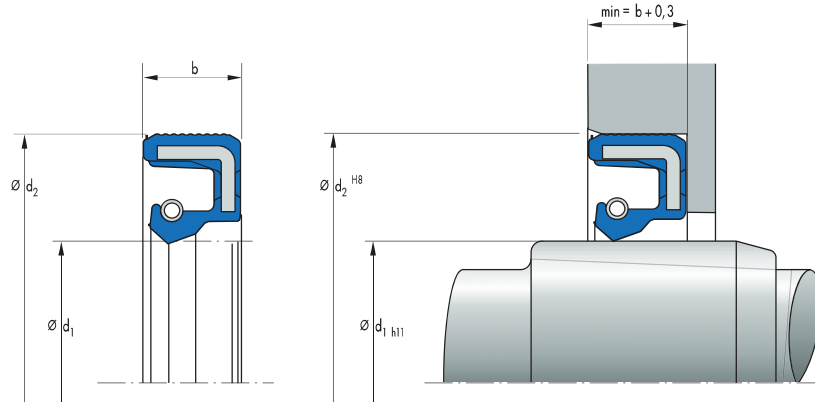
$d_1$	$d_2$	b	DIN 3761	Outer surface	Pressure	Material	Type	Article No.	
40	52	7	AS	grooved	0,05	75 FKM 585	BAUMSLX7	521007	B
40	55	7	A	grooved	0,05	75 FKM 585	BAUMX7	388060	B
40	55	7	AS	grooved	0,05	75 FKM 585	BAUMSLX7	407135	B
40	55	7	A	grooved	0,05	75 FKM 585	BAUMX7	528162	D
40	58	9	AS	grooved	0,05	75 FKM 585	BAUMSLX7	418363	B
40	60	10	A	grooved	0,05	75 FKM 585	BAUMX7	402487	B
40	60	12	A	smooth	0,05	75 FKM 595	BAUM	129960	D
40	62	7	A	grooved	0,05	75 FKM 585	BAUMX7	388076	B
40	62	7	AS	grooved	0,05	75 FKM 585	BAUMSLX7	410185	B
40	68	6	AS	smooth	0,05	75 FKM 585	BAUMSL	529095	B
40	68	8	AS	grooved	0,05	75 FKM 585	BAUMSLX7	477665	B
40	68	8	A	grooved	0,05	75 FKM 585	BAUMX7	49012132	B
40	72	7	A	grooved	0,05	75 FKM 585	BAUMX7	400807	B
40	72	10	AS	smooth	0,05	75 FKM 585	BAUMSL	477147	B
40	80	7	AS	smooth	0,05	75 FKM 585	BAUMSL	49011968	B
40	80	10	AS	smooth	0,05	75 FKM 585	BAUMSL	455618	B
40	85	10	A	grooved	0,05	75 FKM 585	BAUMX7	474893	B
40	90	10	AS	smooth	0,05	75 FKM 585	BAUMSL	520956	B
42	55	8	AS	grooved	0,05	75 FKM 585	BAUMSLX7	404322	B
42	62	8	A	grooved	0,05	75 FKM 585	BAUMX7	388822	B
42	62	8	AS	grooved	0,05	75 FKM 585	BAUMSLX7	524291	B
42	65	10	A	grooved	0,05	75 FKM 585	BAUMX7	389459	B
42	68	8	A	grooved	0,05	75 FKM 585	BAUMX7	407044	B
42	72	8	A	grooved	0,05	75 FKM 585	BAUMX7	411519	B
42	72	8	AS	grooved	0,05	75 FKM 585	BAUMSLX7	477669	B
44	65	8	A	grooved	0,05	75 FKM 585	BAUMX7	411520	B
45	60	7	A	smooth	0,05	75 FKM 595	BAUM	121905	D
45	60	8	A	grooved	0,05	75 FKM 585	BAUMX7	397330	B
45	60	8	AS	grooved	0,05	75 FKM 585	BAUMSLX7	407136	B
45	62	7	A	grooved	0,05	75 FKM 585	BAUMX7	522386	B
45	62	8	A	grooved	0,05	75 FKM 585	BAUMX7	388081	B
45	65	8	A	grooved	0,05	75 FKM 585	BAUMX7	398036	B
45	65	10	AS	grooved	0,05	75 FKM 585	BAUMSLX7	405454	B
45	68	10	A	grooved	0,05	75 FKM 585	BAUMX7	472400	B
45	72	8	A	grooved	0,05	75 FKM 585	BAUMX7	388865	B
45	72	8	AS	grooved	0,05	75 FKM 585	BAUMSLX7	431911	B

B Available from stock D On request: Tool is available, delivery at short notice



d <sub>1</sub>	d <sub>2</sub>	b	DIN 3761	Outer surface	Pressure	Material	Type	Article No.	
45	72	8	A	smooth	0,05	75 FKM 585	BAUM	49036527	D
45	75	7	AS	smooth	0,05	75 FKM 585	BAUMSL	49011967	B
45	75	7	A	smooth	0,05	75 FKM 585	BAUM	49012131	B
45	75	8	AS	grooved	0,05	75 FKM 585	BAUMSLX7	411214	B
45	75	8	AS	smooth	0,05	75 FKM 585	BAUMSL	49008402	D
45	80	10	AS	grooved	0,05	75 FKM 585	BAUMSLX7	477668	B
45	85	10	AS	smooth	0,05	75 FKM 585	BAUMSL	470430	B
47	65	10	AS	smooth	0,05	75 FKM 585	BAUMSL	478469	B
47	90	10	AS	smooth	0,05	75 FKM 585	BAUMSL	478473	B
48	62	8	A	grooved	0,05	75 FKM 585	BAUMX7	400946	B
48	62	8	AS	grooved	0,05	75 FKM 585	BAUMSLX7	530500	B
48	65	8	AS	grooved	0,05	75 FKM 585	BAUMSLX7	410186	B
48	68	8	AS	grooved	0,05	75 FKM 585	BAUMSLX7	411231	B
48	72	8	A	grooved	0,05	75 FKM 585	BAUMX7	388860	B
48	72	8	AS	grooved	0,05	75 FKM 585	BAUMSLX7	460943	B
50	60	4,5	AS	grooved	0,05	75 FKM 585	BAUMSLX27	521194	B
50	65	8	A	grooved	0,05	75 FKM 585	BAUMX7	389801	B
50	65	8	AS	grooved	0,05	75 FKM 585	BAUMSLX7	410188	B
50	65	10	AS	smooth	0,05	75 FKM 585	BAUMSL	455620	B
50	68	8	A	grooved	0,05	75 FKM 585	BAUMX7	386015	B
50	68	8	AS	grooved	0,05	75 FKM 585	BAUMSLX7	433708	B
50	70	8	A	grooved	0,05	75 FKM 585	BAUMX7	411521	B
50	72	8	A	grooved	0,05	75 FKM 585	BAUMX7	388083	B
50	72	8	AS	grooved	0,05	75 FKM 585	BAUMSLX7	410430	B
50	75	8	AS	grooved	0,05	75 FKM 585	BAUMSLX7	468760	B
50	80	8	A	grooved	0,05	75 FKM 585	BAUMX7	389830	B
50	80	8	AS	grooved	0,05	75 FKM 585	BAUMSLX7	477663	B
50	80	10	AS	grooved	0,05	75 FKM 585	BAUMSLX7	405447	B
50	80	10	AS	smooth	0,05	75 FKM 585	BAUMSL	455622	B
50	80	10	AS	grooved	0,05	75 FKM 585	BAUMSLX7	526239	D
50	90	8	AS	smooth	0,05	75 FKM 585	BAUMSL	49011966	B
50	90	10	AS	smooth	0,05	75 FKM 585	BAUMSL	455624	B
50	110	10	AS	smooth	0,05	75 FKM 585	BAUMSL	49014240	B
52	68	8	A	grooved	0,05	75 FKM 585	BAUMX7	400964	B
52	68	8	AS	grooved	0,05	75 FKM 585	BAUMSLX7	409244	B
52	72	8	A	grooved	0,05	75 FKM 585	BAUMX7	389280	B
52	72	8	AS	grooved	0,05	75 FKM 585	BAUMSLX7	410422	B
52	72	10	AS	smooth	0,05	75 FKM 585	BAUMSL	470380	B
52	80	10	AS	grooved	0,05	75 FKM 585	BAUMSLX7	532940	B
52	85	10	AS	grooved	0,05	75 FKM 585	BAUMSLX7	465368	B
52	100	10	AS	smooth	0,05	75 FKM 585	BAUMSL	470340	B
52	100	10	A	grooved	0,05	75 FKM 585	BAUMX7	524706	B
54	70	8	AS	grooved	0,05	75 FKM 585	BAUMSLX7	532939	B
55	68	8	AS	grooved	0,05	75 FKM 585	BAUMSLX7	520864	B
55	68	8	A	grooved	0,05	75 FKM 585	BAUMX7	525674	B
55	70	8	AS	grooved	0,05	75 FKM 585	BAUMSLX7	476381	B
55	70	10	A	grooved	0,05	75 FKM 585	BAUMX7	386016	B
55	72	8	A	grooved	0,05	75 FKM 585	BAUMX7	386017	B
55	72	8	AS	grooved	0,05	75 FKM 585	BAUMSLX7	407140	B
55	72	10	AS	smooth	0,05	75 FKM 585	BAUMSL	462744	B

B Available from stock D On request: Tool is available, delivery at short notice

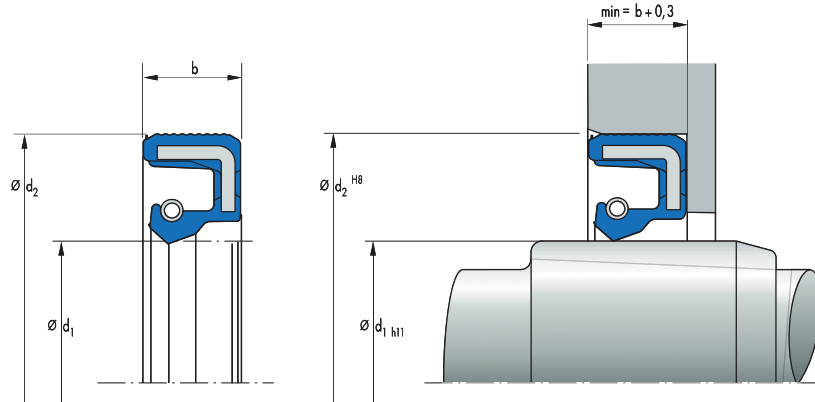


$d_1$	$d_2$	b	DIN 3761	Outer surface	Pressure	Material	Type	Article No.	
55	75	8	AS	grooved	0,05	75 FKM 585	BAUMSLX7	410784	B
55	78	10	AS	grooved	0,05	75 FKM 585	BAUMSLX7	474111	B
55	80	8	A	grooved	0,05	75 FKM 585	BAUMX7	400987	B
55	80	8	AS	grooved	0,05	75 FKM 585	BAUMSLX7	521008	B
55	80	10	A	grooved	0,05	75 FKM 585	BAUMX7	388830	B
55	85	8	A	grooved	0,05	75 FKM 585	BAUMX7	411522	B
55	85	10	A	grooved	0,05	75 FKM 585	BAUMX7	389288	B
55	90	8	AS	grooved	0,05	75 FKM 585	BAUMSLX7	477662	B
55	90	8	A	smooth	0,05	75 FKM 585	BAUM	49012068	B
55	90	10	AS	smooth	0,05	75 FKM 585	BAUMSL	455629	B
55	100	8	AS	smooth	0,05	75 FKM 585	BAUMSL	49011965	B
55	100	10	AS	smooth	0,05	75 FKM 585	BAUMSL	470438	B
55	110	10	AS	grooved	0,05	75 FKM 585	BAUMSLX7	465367	B
56	70	8	AS	grooved	0,05	75 FKM 585	BAUMSLX7	407296	B
56	72	8	AS	grooved	0,05	75 FKM 585	BAUMSLX7	410420	B
56	80	8	A	grooved	0,05	75 FKM 585	BAUMX7	411523	B
56	85	8	A	grooved	0,05	75 FKM 585	BAUMX7	411524	B
58	72	8	A	grooved	0,05	75 FKM 585	BAUMX7	403099	B
58	72	8	AS	grooved	0,05	75 FKM 585	BAUMSLX7	49009508	B
58	80	8	A	grooved	0,05	75 FKM 585	BAUMX7	411526	B
58	80	8	AS	grooved	0,05	75 FKM 585	BAUMSLX7	478514	D
60	75	8	AS	grooved	0,05	75 FKM 585	BAUMSLX7	404321	B
60	75	8	A	grooved	0,05	75 FKM 585	BAUMX7	49015826	B
60	78	10	A	grooved	0,05	75 FKM 585	BAUMX7	49037121	B
60	80	8	AS	grooved	0,05	75 FKM 585	BAUMSLX7	407294	B
60	80	8	A	grooved	0,05	75 FKM 585	BAUMX7	520224	B
60	80	10	A	grooved	0,05	75 FKM 585	BAUMX7	386182	B
60	85	8	A	smooth	0,05	75 FKM 595	BAUM	121907	D
60	85	8	A	grooved	0,05	75 FKM 585	BAUMX7	389828	B
60	85	10	AS	smooth	0,05	75 FKM 585	BAUMSL	384292	B
60	90	8	A	grooved	0,05	75 FKM 585	BAUMX7	400796	B
60	90	8	AS	grooved	0,05	75 FKM 585	BAUMSLX7	407448	B
60	90	10	A	grooved	0,05	75 FKM 585	BAUMX7	389605	B
60	95	8	AS	grooved	0,05	75 FKM 585	BAUMSLX7	468761	B
60	100	10	A	grooved	0,05	75 FKM 585	BAUMX7	524450	B
60	110	10	A	grooved	0,05	75 FKM 585	BAUMX7	478357	B

B Available from stock D On request: Tool is available, delivery at short notice

d <sub>1</sub>	d <sub>2</sub>	b	DIN 3761	Outer surface	Pressure	Material	Type	Article No.	
60	110	10	AS	smooth	0,05	75 FKM 585	BAUMSL	49012130	B
60	110	12	AS	smooth	0,05	75 FKM 585	BAUMSL	455631	B
62	85	10	A	grooved	0,05	75 FKM 585	BAUMX7	400994	B
62	90	10	A	grooved	0,05	75 FKM 585	BAUMX7	402395	B
62	90	10	AS	grooved	0,05	75 FKM 585	BAUMSLX7	520029	D
62	90	12	AS	smooth	0,05	75 FKM 585	BAUMSL	470365	B
62	120	12	AS	smooth	0,05	75 FKM 585	BAUMSL	470347	B
63	85	10	A	grooved	0,05	75 FKM 585	BAUMX7	411527	B
63	90	10	AS	grooved	0,05	75 FKM 585	BAUMSLX7	410417	B
63	90	10	A	grooved	0,05	75 FKM 585	BAUMX7	411528	B
64	90	10	AS	grooved	0,05	75 FKM 585	BAUMSLX7	532938	B
65	80	8	AS	grooved	0,05	75 FKM 585	BAUMSLX7	474109	B
65	80	8	A	grooved	0,05	75 FKM 585	BAUMX7	520225	B
65	85	10	A	grooved	0,05	75 FKM 585	BAUMX7	389826	B
65	85	10	AS	grooved	0,05	75 FKM 585	BAUMSLX7	389999	B
65	85	12	A	grooved	0,05	75 FKM 585	BAUMX7	389292	B
65	85	12	AS	smooth	0,05	75 FKM 585	BAUMSL	470432	B
65	90	8	AS	smooth	0,05	75 FKM 585	BAUMSL	49017460	B
65	90	10	A	grooved	0,05	75 FKM 585	BAUMX7	403074	B
65	90	10	AS	grooved	0,05	75 FKM 585	BAUMSLX7	416246	B
65	90	12	A	grooved	0,05	75 FKM 585	BAUMX7	389584	B
65	95	10	A	grooved	0,05	75 FKM 585	BAUMX7	411733	B
65	100	10	A	grooved	0,05	75 FKM 585	BAUMX7	401003	B
65	100	10	AS	grooved	0,05	75 FKM 585	BAUMSLX7	410408	B
65	100	12	AS	smooth	0,05	75 FKM 585	BAUMSL	470434	B
65	120	10	AS	smooth	0,05	75 FKM 585	BAUMSL	49011962	B
65	120	10	A	smooth	0,05	75 FKM 585	BAUM	49012129	B
65	120	12	AS	smooth	0,05	75 FKM 585	BAUMSL	455633	B
65	140	12	AS	smooth	0,05	75 FKM 585	BAUMSL	455635	B
67	90	10	AS	grooved	0,05	75 FKM 585	BAUMSLX7	531790	B
68	90	10	A	grooved	0,05	75 FKM 585	BAUMX7	389793	B
68	90	10	AS	grooved	0,05	75 FKM 585	BAUMSLX7	407291	B
68	100	10	A	grooved	0,05	75 FKM 585	BAUMX7	411777	B
69,85	104,75	14,2	AS	smooth	0,05	75 FKM 595	BAUMSL	429414	D
70	85	8	A	grooved	0,05	75 FKM 585	BAUMX7	407045	B
70	85	8	AS	grooved	0,05	75 FKM 585	BAUMSLX7	532958	B
70	90	10	A	grooved	0,05	75 FKM 585	BAUMX7	376664	B
70	90	10	AS	grooved	0,05	75 FKM 585	BAUMSLX7	520226	B
70	90	12	A	grooved	0,05	75 FKM 585	BAUMX7	388870	B
70	90	12	AS	smooth	0,05	75 FKM 585	BAUMSL	455637	B
70	95	12	AS	grooved	0,05	75 FKM 585	BAUMSLX7	405449	B
70	100	10	A	grooved	0,05	75 FKM 585	BAUMX7	398035	B
70	100	10	AS	grooved	0,05	75 FKM 585	BAUMSLX7	524105	B
70	110	8	A	smooth	0,05	75 FKM 585	BAUM	49012067	B
70	110	12	AS	smooth	0,05	75 FKM 585	BAUMSL	455639	B
70	130	10	AS	smooth	0,05	75 FKM 585	BAUMSL	49011951	B
70	130	10	A	smooth	0,05	75 FKM 585	BAUM	49012128	B
72	84	7	A	grooved	0,05	75 FKM 585	BAUMX7	410718	B
72	90	10	A	smooth	0,05	75 FKM 595	BAUM	418071	D
72	95	10	A	grooved	0,05	75 FKM 585	BAUMX7	411780	B

B Available from stock D On request: Tool is available, delivery at short notice

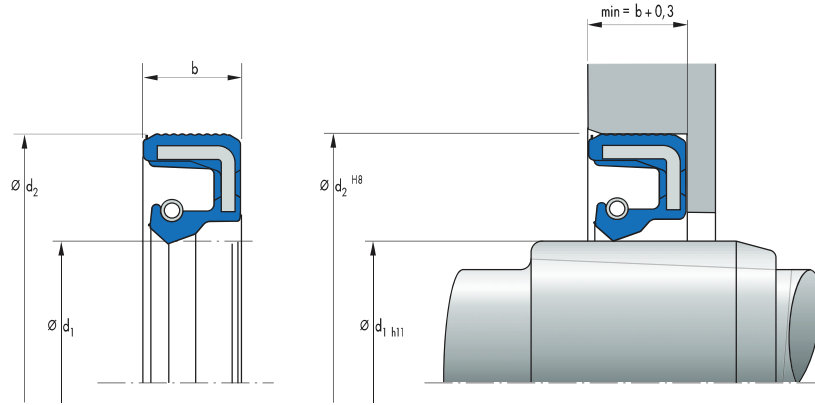


$d_1$	$d_2$	b	DIN 3761	Outer surface	Pressure	Material	Type	Article No.	
72	95	12	AS	smooth	0,05	75 FKM 585	BAUMSL	470367	B
72	100	10	A	grooved	0,05	75 FKM 585	BAUMX7	401034	B
72	100	10	AS	grooved	0,05	75 FKM 585	BAUMSLX7	407289	B
72	140	12	AS	smooth	0,05	75 FKM 585	BAUMSL	470351	B
75	90	8	A	grooved	0,05	75 FKM 585	BAUMX7	520865	B
75	90	10	A	grooved	0,05	75 FKM 585	BAUMX7	435005	B
75	90	10	AS	grooved	0,05	75 FKM 585	BAUMSLX7	468762	B
75	95	10	A	grooved	0,05	75 FKM 585	BAUMX7	402396	B
75	95	10	AS	grooved	0,05	75 FKM 585	BAUMSLX7	521009	B
75	95	12	A	grooved	0,05	75 FKM 585	BAUMX7	389609	B
75	100	10	A	grooved	0,05	75 FKM 585	BAUMX7	398031	B
75	100	10	AS	grooved	0,05	75 FKM 585	BAUMSLX7	407279	B
75	100	12	A	grooved	0,05	75 FKM 585	BAUMX7	389296	B
75	115	12	AS	grooved	0,05	75 FKM 585	BAUMSLX7	477664	B
75	120	12	AS	smooth	0,05	75 FKM 585	BAUMSL	49012063	B
75	120	12	A	smooth	0,05	75 FKM 585	BAUM	49013714	B
75	125	12	AS	smooth	0,05	75 FKM 595	BAUMSL	474897	D
75	130	12	AS	smooth	0,05	75 FKM 585	BAUMSL	455642	B
78	100	10	A	grooved	0,05	75 FKM 585	BAUMX7	401025	B
80	100	12	A	grooved	0,05	75 FKM 585	BAUMX7	388823	B
80	100	10	A	grooved	0,05	75 FKM 585	BAUMX7	398029	B
80	100	10	AS	grooved	0,05	75 FKM 585	BAUMSLX7	468978	B
80	100	12	AS	smooth	0,05	75 FKM 585	BAUMSL	470440	B
80	110	10	A	grooved	0,05	75 FKM 585	BAUMX7	397823	B
80	110	10	AS	grooved	0,05	75 FKM 585	BAUMSLX7	427699	B
80	125	12	AS	smooth	0,05	75 FKM 585	BAUMSL	470442	B
80	140	13	AS	grooved	0,05	75 FKM 585	BAUMSLX7	477666	B
80	140	13	A	grooved	0,05	75 FKM 585	BAUMX7	49012109	B
80	150	15	AS	smooth	0,05	75 FKM 585	BAUMSL	520739	B
80	170	13	AS	smooth	0,05	75 FKM 585	BAUMSL	439857	B
82	100	10	A	grooved	0,05	75 FKM 585	BAUMX7	460327	B
82	120	13	AS	smooth	0,05	75 FKM 585	BAUMSL	470378	B
82	160	13	AS	smooth	0,05	75 FKM 585	BAUMSL	470382	B
85	100	8	AS	grooved	0,05	75 FKM 585	BAUMSLX7	520227	B
85	105	7	AS	grooved	0,05	75 FKM 585	BAUMSLX7	522850	B
85	105	12	AS	grooved	0,05	75 FKM 585	BAUMSLX7	404329	B

B Available from stock D On request: Tool is available, delivery at short notice

d <sub>1</sub>	d <sub>2</sub>	b	DIN 3761	Outer surface	Pressure	Material	Type	Article No.	
85	105	12	A	grooved	0,05	75 FKM 585	BAUMX7	526104	B
85	105	13	A	smooth	0,05	75 FKM 595	BAUM	4061	D
85	110	10	A	grooved	0,05	75 FKM 585	BAUMX7	476119	B
85	110	12	A	grooved	0,05	75 FKM 585	BAUMX7	388841	B
85	110	12	AS	smooth	0,05	75 FKM 585	BAUMSL	455644	B
85	120	12	A	grooved	0,05	75 FKM 585	BAUMX7	388807	B
85	130	10	AS	grooved	0,05	75 FKM 585	BAUMSLX7	477667	B
85	130	10	A	grooved	0,05	75 FKM 585	BAUMX7	49012126	B
85	140	12	AS	smooth	0,05	75 FKM 585	BAUMSL	455647	B
85	150	12	AS	grooved	0,05	75 FKM 585	BAUMSLX7	520105	B
88	110	13	A	smooth	0,05	75 FKM 595	BAUM	142385	D
88	160	13	AS	grooved	0,05	75 FKM 585	BAUMSLX7	477611	B
90	110	12	A	grooved	0,05	75 FKM 585	BAUMX7	388824	B
90	110	12	AS	grooved	0,05	75 FKM 585	BAUMSLX7	521010	B
90	115	12	AS	grooved	0,05	75 FKM 585	BAUMSLX7	428612	B
90	120	12	A	grooved	0,05	75 FKM 585	BAUMX7	389300	B
90	120	12	AS	grooved	0,05	75 FKM 585	BAUMSLX7	420404	B
90	130	12	AS	grooved	0,05	75 FKM 585	BAUMSLX7	420402	B
95	115	13	A	grooved	0,05	75 FKM 585	BAUMX7	389615	B
95	120	12	A	grooved	0,05	75 FKM 585	BAUMX7	388845	B
95	120	12	AS	grooved	0,05	75 FKM 585	BAUMSLX7	521011	B
95	125	12	A	grooved	0,05	75 FKM 585	BAUMX7	403102	B
95	125	12	AS	grooved	0,05	75 FKM 585	BAUMSLX7	436020	B
95	125	13	AS	smooth	0,05	75 FKM 585	BAUMSL	455649	B
95	145	13	AS	smooth	0,05	75 FKM 585	BAUMSL	470444	B
95	145	13	A	smooth	0,05	75 FKM 585	BAUM	49012060	B
95	170	13	AS	smooth	0,05	75 FKM 585	BAUMSL	455652	B
98	125	13	A	smooth	0,05	75 FKM 595	BAUM	142387	D
100	115	9	AS	grooved	0,05	75 FKM 595	BAUMSLX7	412884	D
100	120	12	AS	grooved	0,05	75 FKM 595	BAUMSLX7	350248	D
100	120	12	A	grooved	0,05	75 FKM 585	BAUMX7	389309	B
100	120	12	AS	grooved	0,05	75 FKM 585	BAUMSLX7	411235	B
100	125	12	A	grooved	0,05	75 FKM 585	BAUMX7	389690	B
100	125	12	AS	grooved	0,05	75 FKM 585	BAUMSLX7	521012	B
100	130	12	A	grooved	0,05	75 FKM 585	BAUMX7	389698	B
100	130	12	AS	grooved	0,05	75 FKM 585	BAUMSLX7	49000979	B
100	130	13	AS	smooth	0,05	75 FKM 585	BAUMSL	310982	D
100	160	14	AS	smooth	0,05	75 FKM 585	BAUMSL	49012061	B
100	160	14	A	smooth	0,05	75 FKM 585	BAUM	49012062	B
100	180	12	A	smooth	0,05	75 FKM 585	BAUM	49012124	B
100	190	15	AS	grooved	0,05	75 FKM 585	BAUMSLX7	520740	B
105	130	12	A	grooved	0,05	75 FKM 585	BAUMX7	389699	B
105	130	12	AS	grooved	0,05	75 FKM 585	BAUMSLX7	411280	B
105	140	12	A	grooved	0,05	75 FKM 585	BAUMX7	411268	B
105	160	12	AS	grooved	0,05	75 FKM 585	BAUMSLX7	477615	B
108	140	15	AS	smooth	0,05	75 FKM 585	BAUMSL	470436	B
108	170	15	AS	smooth	0,05	75 FKM 585	BAUMSL	470384	B
110	128	12	A	grooved	0,05	75 FKM 585	BAUMX7	436018	B
110	130	8	AS	grooved	0,05	75 FKM 585	BAUMSLX7	520228	B
110	130	12	A	grooved	0,05	75 FKM 585	BAUMX7	376665	B

B Available from stock D On request: Tool is available, delivery at short notice



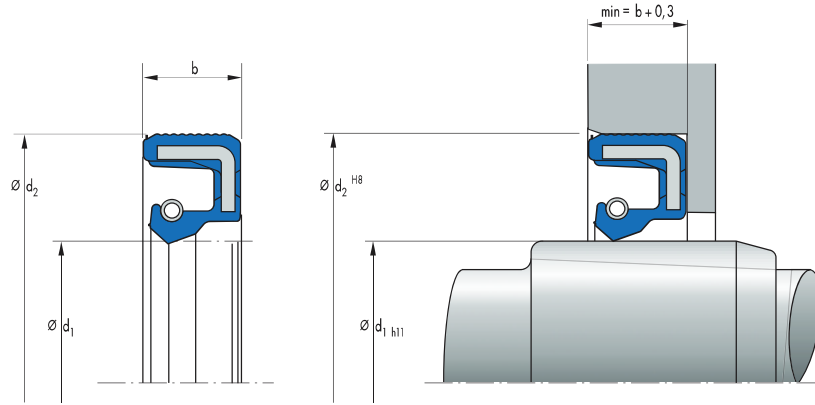
d <sub>1</sub>	d <sub>2</sub>	b	DIN 3761	Outer surface	Pressure	Material	Type	Article No.	
110	130	12	AS	grooved	0,05	75 FKM 585	BAUMSLX7	407283	B
110	140	12	A	grooved	0,05	75 FKM 585	BAUMX7	389454	B
110	140	12	AS	grooved	0,05	75 FKM 585	BAUMSLX7	521013	B
110	170	15	AS	smooth	0,05	75 FKM 585	BAUMSL	520741	B
110	200	13	AS	smooth	0,05	75 FKM 585	BAUMSL	49012065	B
110	215	15	AS	smooth	0,05	75 FKM 585	BAUMSL	520742	B
112	130	12	A	grooved	0,05	75 FKM 585	BAUMX7	520866	B
115	140	12	AS	smooth	0,05	75 FKM 585	BAUMSL	142971	D
115	140	12	A	smooth	0,05	75 FKM 595	BAUM	351142	D
115	140	12	A	grooved	0,05	75 FKM 585	BAUMX7	389700	B
115	140	12	AS	grooved	0,05	75 FKM 585	BAUMSLX7	522388	B
115	150	12	A	grooved	0,05	75 FKM 585	BAUMX7	407103	B
115	150	12	AS	grooved	0,05	75 FKM 585	BAUMSLX7	411270	B
115	160	12	A	grooved	0,05	75 FKM 585	BAUMX7	49010597	B
118	150	12	AS	smooth	0,05	75 FKM 585	BAUMSL	461900	B
118	150	12	A	smooth	0,05	75 FKM 585	BAUM	462757	B
120	140	13	AS	grooved	0,05	75 FKM 585	BAUMSLX7	405832	B
120	140	13	A	grooved	0,05	75 FKM 585	BAUMX7	525673	B
120	150	12	A	grooved	0,05	75 FKM 585	BAUMX7	401018	B
120	150	12	AS	grooved	0,05	75 FKM 585	BAUMSLX7	474123	B
120	150	13	AS	smooth	0,05	75 FKM 595	BAUMSL	384118	D
120	150	15	A	grooved	0,05	75 FKM 585	BAUMX7	389455	B
120	150	15	AS	smooth	0,05	75 FKM 585	BAUMSL	470448	B
120	160	12	A	grooved	0,05	75 FKM 585	BAUMX7	407104	B
120	160	12	AS	grooved	0,05	75 FKM 585	BAUMSLX7	411290	B
120	180	15	AS	smooth	0,05	75 FKM 585	BAUMSL	470452	B
120	200	14	AS	smooth	0,05	75 FKM 585	BAUMSL	49011950	B
120	200	14	A	smooth	0,05	75 FKM 585	BAUM	49012125	B
122	200	15	AS	grooved	0,05	75 FKM 585	BAUMSLX7	477613	B
125	145	13	A	grooved	0,05	75 FKM 585	BAUMX7	49016136	D
125	150	12	AS	grooved	0,05	75 FKM 585	BAUMSLX7	407276	B
125	150	12	A	grooved	0,05	75 FKM 585	BAUMX7	49045094	D
125	150	15	A	grooved	0,05	75 FKM 585	BAUMX7	389702	B
125	160	12	A	grooved	0,05	75 FKM 585	BAUMX7	411240	B
125	160	15	AS	smooth	0,05	75 FKM 585	BAUMSL	470446	B
125	200	15	AS	smooth	0,05	75 FKM 585	BAUMSL	470426	B

B Available from stock D On request: Tool is available, delivery at short notice

d <sub>1</sub>	d <sub>2</sub>	b	DIN 3761	Outer surface	Pressure	Material	Type	Article No.	
130	150	15	A	grooved	0,05	75 FKM 585	BAUMX7	530591	B
130	160	12	A	grooved	0,05	75 FKM 585	BAUMX7	402397	B
130	160	12	AS	grooved	0,05	75 FKM 585	BAUMSLX7	474122	B
130	160	15	A	grooved	0,05	75 FKM 585	BAUMX7	389456	B
130	170	12	A	grooved	0,05	75 FKM 585	BAUMX7	407050	B
130	170	12	AS	grooved	0,05	75 FKM 585	BAUMSLX7	411238	B
130	200	15	AS	grooved	0,05	75 FKM 585	BAUMSLX7	477612	B
130	215	15	AS	smooth	0,05	75 FKM 585	BAUMSL	520743	B
135	165	12	A	grooved	0,05	75 FKM 585	BAUMX7	521829	B
135	170	12	AS	smooth	0,05	75 FKM 585	BAUMSL	375318	D
135	170	12	A	grooved	0,05	75 FKM 585	BAUMX7	411236	B
135	170	15	A	grooved	0,05	75 FKM 585	BAUMX7	389749	B
140	170	13	AS	grooved	0,05	75 FKM 585	BAUMSLX7	434702	B
140	170	15	A	grooved	0,05	75 FKM 595	BAUMX7	348664	D
140	170	15	A	grooved	0,05	75 FKM 585	BAUMX7	389458	B
140	230	15	AS	smooth	0,05	75 FKM 585	BAUMSL	49012059	B
140	230	15	A	smooth	0,05	75 FKM 585	BAUM	49012122	B
140	250	15	AS	smooth	0,05	75 FKM 585	BAUMSL	49012058	B
140	250	15	A	smooth	0,05	75 FKM 585	BAUM	49012123	B
145	175	15	A	grooved	0,05	75 FKM 585	BAUMX7	402486	B
145	190	17	AS	smooth	0,05	75 FKM 585	BAUMSL	470450	B
145	230	17	AS	smooth	0,05	75 FKM 585	BAUMSL	470428	B
150	180	15	A	grooved	0,05	75 FKM 585	BAUMX7	389750	B
150	180	15	AS	grooved	0,05	75 FKM 585	BAUMSLX7	521014	B
150	225	15	AS	grooved	0,05	75 FKM 585	BAUMSLX7	477610	B
155	174	12	A	smooth	0,05	75 FKM 595	BAUM	410711	D
155	180	15	A	smooth	0,05	75 FKM 585	BAUM	463990	D
155	180	15	AS	grooved	0,05	75 FKM 585	BAUMSLX7	474107	B
160	190	15	A	grooved	0,05	75 FKM 585	BAUMX7	389752	B
160	190	15	AS	grooved	0,05	75 FKM 585	BAUMSLX7	521015	B
160	240	14	AS	grooved	0,05	75 FKM 585	BAUMSLX7	477614	B
160	290	18	AS	smooth	0,05	75 FKM 595	BAUMSL	49012057	B
160	290	18	A	smooth	0,05	75 FKM 595	BAUM	49012110	B
162	190	12	A	smooth	0,05	75 FKM 585	BAUM	410714	D
162	190	12	AS	grooved	0,05	75 FKM 585	BAUMSLX7	520229	B
168	190	15	A	smooth	0,05	75 FKM 595	BAUM	342151	D
170	200	15	A	grooved	0,05	75 FKM 585	BAUMX7	389755	B
170	200	15	AS	grooved	0,05	75 FKM 585	BAUMSLX7	521016	B
180	210	15	A	grooved	0,05	75 FKM 585	BAUMX7	402490	B
180	210	15	AS	grooved	0,05	75 FKM 585	BAUMSLX7	521017	B
180	215	16	AS	smooth	0,05	75 FKM 585	BAUMSL	392790	D
184	210	15	AS	smooth	0,05	75 FKM 595	BAUMSL	304125	D
190	220	15	A	grooved	0,05	75 FKM 585	BAUMX7	389697	B
190	220	15	AS	grooved	0,05	75 FKM 585	BAUMSLX7	454176	B
200	230	15	A	grooved	0,05	75 FKM 585	BAUMX7	407051	B
200	230	15	AS	grooved	0,05	75 FKM 585	BAUMSLX7	520230	B
200	310	18	AS	smooth	0,05	75 FKM 595	BAUMSL	49011949	B
200	310	18	A	smooth	0,05	75 FKM 595	BAUM	49012111	B
205	230	15	A	grooved	0,05	75 FKM 585	BAUMX7	528843	B
210	240	15	AS	grooved	0,05	75 FKM 585	BAUMSLX7	474108	B

B Available from stock D On request: Tool is available, delivery at short notice





$d_1$	$d_2$	b	DIN 3761	Outer surface	Pressure	Material	Type	Article No.	
215	235	10	AS	smooth	0,05	75 FKM 595	BAUMSL	478540	D
220	250	15	A	grooved	0,05	75 FKM 585	BAUMX7	435004	B
220	250	15	AS	grooved	0,05	75 FKM 585	BAUMSLX7	468763	B
230	260	15	A	grooved	0,05	75 FKM 585	BAUMX7	412593	B
230	260	15	AS	grooved	0,05	75 FKM 585	BAUMSLX7	520231	B
240	270	15	A	smooth	0,05	75 FKM 585	BAUM	414150	B
240	270	15	AS	grooved	0,05	75 FKM 585	BAUMSLX7	520694	B
250	280	15	A	smooth	0,05	75 FKM 585	BAUM	142223	D
250	280	15	AS	grooved	0,05	75 FKM 585	BAUMSLX7	520695	B
250	280	15	A	grooved	0,05	75 FKM 585	BAUMX7	49035578	D
260	300	20	AS	grooved	0,05	75 FKM 585	BAUMSLX7	520696	B
270	300	15	A	smooth	0,05	75 FKM 585	BAUM	333308	D
270	310	16	A	smooth	0,05	75 FKM 585	BAUM	335347	D
280	320	20	AS	grooved	0,05	75 FKM 585	BAUMSLX7	520697	B
300	340	16	A	smooth	0,05	75 FKM 585	BAUM	530862	D
300	340	20	AS	grooved	0,05	75 FKM 585	BAUMSLX7	520698	B
320	360	20	A	smooth	0,05	75 FKM 595	BAUM	324209	D
320	360	20	AS	grooved	0,05	75 FKM 585	BAUMSLX7	520699	B
340	380	20	A	grooved	0,05	75 FKM 585	BAUMX7	522482	D
340	380	20	AS	grooved	0,05	75 FKM 585	BAUMSLX7	523042	B
420	460	20	A	smooth	0,05	75 FKM 585	BAUM	346641	D
448	480	15	A	smooth	0,05	75 FKM 585	BAUM	451881	D
480	520	20	A	smooth	0,05	75 FKM 595	BAUM	49008731	D
530	580	20	A	smooth	0,05	75 FKM 585	BAUM	49013753	D
560	610	20	A	smooth	0,05	75 FKM 595	BAUM	425242	D
760	800	20	A	smooth	0,05	75 FKM 585	BAUM	437124	D
810	850	20	A	smooth	0,05	75 FKM 585	BAUM	436090	D

B Available from stock D On request: Tool is available, delivery at short notice



